

Suspended Systems

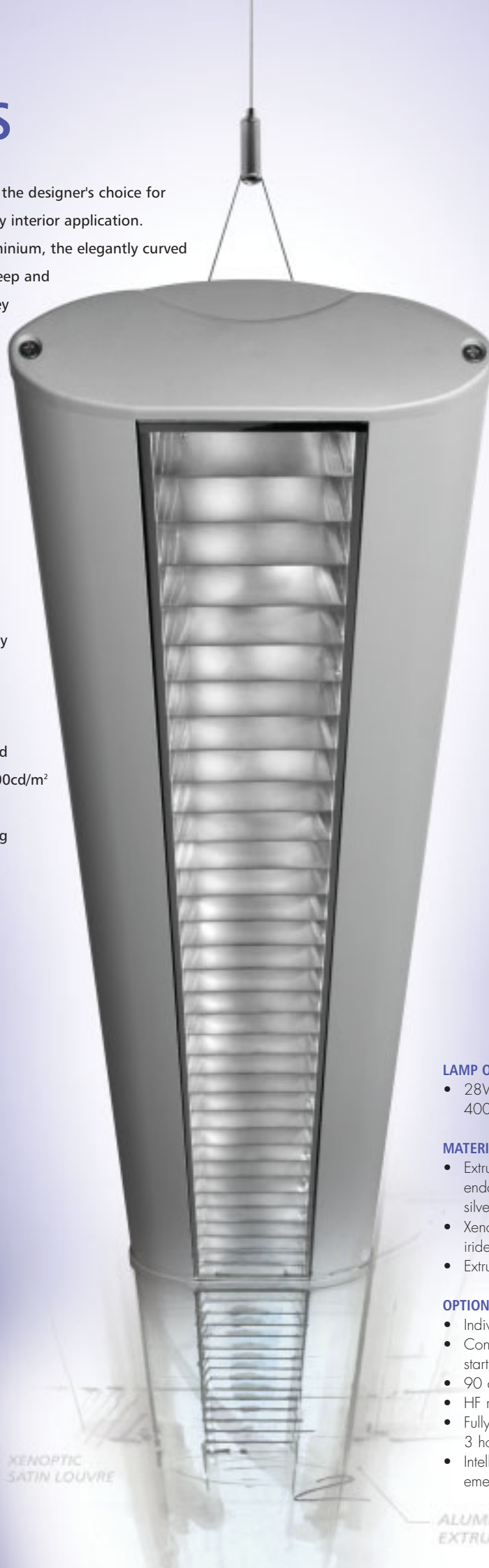
COOPER Lighting and Security



SYNTHESIS

Synthesis is a stylish addition to the designer's choice for balanced light distribution in any interior application.

Constructed from extruded aluminium, the elegantly curved slim line profile is only 66mm deep and available in a choice of silver-grey or white finish. Where ceiling heights are restricted, the luminaires can be close mounted using the two 1.5 metre yoked suspension wires supplied, which are easily adjusted to length via an ingenious yet simple clutch mechanism. Suitable for individually or continuous mounting, Synthesis can aesthetically compliment a variety of applications while providing excellent direct/indirect light. A wide distribution lens ensures uniform upward illumination and when specified with the 65°-1000cd/m² louvre, Synthesis is an excellent constituent of VDT office lighting design.



LAMP OPTIONS

- 28W, 35W (HE) T5 fluorescent, 4000°K - G5 cap

MATERIALS

- Extruded/cast aluminium body & endcaps, RAL9010 white or RAL9006 silver-grey finish
- Xenoptic grade, satin finish, zero iridescence, anodised aluminium louvre
- Extruded clear TPA lens with linear prisms

OPTIONS

- Individual mount luminaires
- Continuous systems constructed from start/end and mid section luminaires
- 90 degree corner and dummy modules
- HF regulating versions on request
- Fully integral emergency conversion, 3 hour duration
- Intellem and EasiCheck™ self test emergency versions available

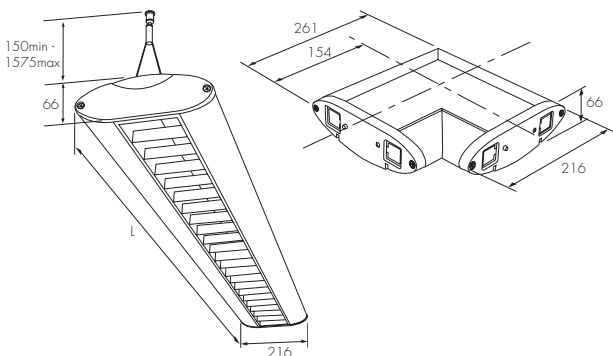
XENOPTIC
SATIN LOUVRE

ALUMINIUM
EXTRUSION

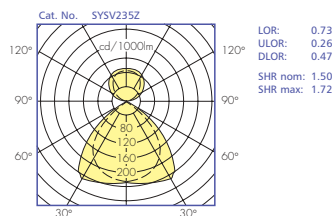
INSTALLATION NOTES

- Close ceiling mount or suspension, via 2 x adjustable wire kits (supplied)
- Mounting kit top plate secured to ceiling by single screw
- Wires clip into body, via anti-displacement slots
- Height adjusted at yoke via simple clutch mechanism
- Start/end of run only, not intermediates
- Removable gear tray with plug and socket connection
- Simple plug and play connection system for continuous mount versions
- Fused as standard
- Lens and louvre supplied pre-fitted
- Supplied complete with lamps

DIMENSIONS



PHOTOMETRIC DATA



Utilisation factors / TMS

Reflectances			Room Index								
C	W	F	0.75	1.0	1.25	1.5	2.0	2.5	3.0	4.0	5.0
70	50	20	45	51	55	58	62	64	66	68	70
30	30	10	41	47	51	54	59	62	64	66	68
			38	44	48	52	56	59	61	64	66
50	50	20	42	47	50	53	56	58	59	61	62
			39	44	47	50	53	56	57	59	61
			36	41	45	48	51	54	56	58	60
30	50	20	39	43	46	47	50	52	53	54	55
			36	40	43	46	48	50	51	53	54
			34	38	42	44	47	49	50	52	53
0	0	0	31	34	36	38	40	41	42	43	44
BZ-class			1	1	1	1	1	1	1	1	1

Lamp Rating L (mm)

Individual & Continuous start/end	L (mm)
2x28W	1205
2x35W	1505
Continuous mid section	
2x28W	1202
2x35W	1502
Dummy modules	
300mm	300
600mm	600
900mm	900

CATALOGUE NUMBERS

Lamp Rating	Colour Finish	Louvre	Cat. No.	Weight (kg)	Emergency Cat. No.	Weight (kg)
-------------	---------------	--------	----------	-------------	--------------------	-------------

Synthesis - individual

2 x 28W	Silver Grey	65° - 1000cd/m ²	SYSV228Z	7.4	EBSYSV228Z	8.1
2 x 35W	Silver Grey	65° - 1000cd/m ²	SYSV235Z	7.9	EBSYSV235Z	8.6
2 x 28W	White	65° - 1000cd/m ²	SYWV228Z	7.4	EBSYWV228Z	8.1
2 x 35W	White	65° - 1000cd/m ²	SYWV235Z	7.9	EBSYWV235Z	8.6
2 x 28W	Silver Grey	Ribbed cross blade	SYSR228Z	7.3	EBSYSR228Z	8.0
2 x 35W	Silver Grey	Ribbed cross blade	SYSR235Z	7.8	EBSYSR235Z	8.5
2 x 28W	White	Ribbed cross blade	SYWR228Z	7.3	EBSYWR228Z	8.0
2 x 35W	White	Ribbed cross blade	SYWR235Z	7.8	EBSYWR235Z	8.5

Synthesis - continuous start/end

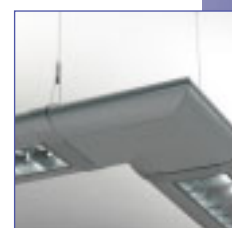
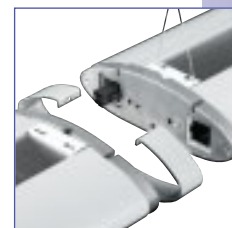
2 x 28W	Silver Grey	65° - 1000cd/m ²	SYESV228Z	7.4	EBSYESV228Z	8.1
2 x 35W	Silver Grey	65° - 1000cd/m ²	SYESV235Z	7.9	EBSYESV235Z	8.6
2 x 28W	White	65° - 1000cd/m ²	SYEWW228Z	7.4	EBSYEWV228Z	8.1
2 x 35W	White	65° - 1000cd/m ²	SYEWW235Z	7.9	EBSYEWV235Z	8.6
2 x 28W	Silver Grey	Ribbed cross blade	SYESR228Z	7.3	EBSYESR228Z	8.0
2 x 35W	Silver Grey	Ribbed cross blade	SYESR235Z	7.8	EBSYESR235Z	8.5
2 x 28W	White	Ribbed cross blade	SYEWR228Z	7.3	EBSYWR228Z	8.0
2 x 35W	White	Ribbed cross blade	SYEWR235Z	7.8	EBSYWR235Z	8.5

Synthesis - continuous mid section

2 x 28W	Silver Grey	65° - 1000cd/m ²	SYCSV228Z	7.1	EBSYCSV228Z	7.8
2 x 35W	Silver Grey	65° - 1000cd/m ²	SYCSV235Z	7.6	EBSYCSV235Z	8.3
2 x 28W	White	65° - 1000cd/m ²	SYCWW228Z	7.1	EBSYCWW228Z	7.8
2 x 35W	White	65° - 1000cd/m ²	SYCWW235Z	7.6	EBSYCWW235Z	8.3
2 x 28W	Silver Grey	Ribbed cross blade	SYCSR228Z	7.0	EBSYCSR228Z	7.7
2 x 35W	Silver Grey	Ribbed cross blade	SYCSR235Z	7.5	EBSYCSR235Z	8.2
2 x 28W	White	Ribbed cross blade	SYCWR228Z	7.0	EBSYCWR228Z	7.7
2 x 35W	White	Ribbed cross blade	SYCWR235Z	7.5	EBSYCWR235Z	8.2

Synthesis - continuous dummy modules

Length	Silver Grey Cat No.	White Cat No.	Weight (kg)
300mm	SYDS300	SYDW300	1.7
600mm	SYDS600	SYDW600	3.0
900mm	SYDS900	SYDW900	4.4
90° corner	SYCS90	SYCW90	1.7



LASERLINE

Laserline's sleek, clean lines provide a lighting solution designed to blend in with modern interiors and architecture. Purposely developed to capitalise on the slimness of T5 lamp technology, its main visible body section is only 39mm deep. Direct downward distribution is via a choice of 65°-1000cd/m² or general purpose satin louvres, with upward indirect distribution via a wide angle linear prism lens. Laserline can be specified as standalone luminaires or as a continuous system for linear runs with a simple plug and play connection system. Supplied complete are two 1.5m yoked suspension kits with an incredibly simple adjustment mechanism with the ability to close mount 150mm from the ceiling. Laserline provides the ideal solution to meet today's energy efficiency and lighting design requirements, without compromising aesthetics and performance.



LAMP OPTIONS

- 28W, 35W (HE) T5 fluorescent, 4000°K - G5 cap

MATERIALS

- Sheet steel constructed body & endcaps, RAL9010 white or RAL9006 silvergrey finish
- Xenoptic grade, satin finish, zero iridescence, anodised aluminium louvre
- Extruded clear TPA lens with linear prisms

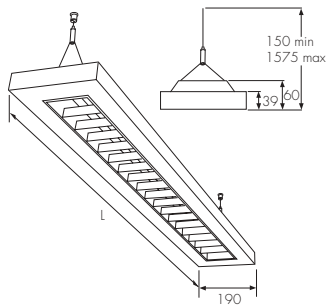
OPTIONS

- Individual mount luminaires
- Continuous systems constructed from start/end and mid section luminaires
- HF regulating versions on request
- Fully integral emergency conversion, 3 hour duration
- Intellem and EasiCheck™ self test emergency versions available

INSTALLATION NOTES

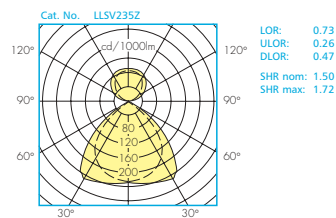
- Close ceiling mount or suspension, via 2 x adjustable wire kits (supplied)
- Mounting kit top plate secured to ceiling by single screw
- Wires clip into body, via anti-displacement slots
- Height adjusted at yoke via simple clutch mechanism
- Body pre-wired with 2m flying lead
- Removable gear tray with plug and socket connection
- Simple plug and play connection system for continuous mount version
- Fused as standard
- Lens and louvre supplied pre-fitted
- Supplied complete with lamps

DIMENSIONS



Lamp Rating	L (mm)
Individual & Continuous	
2x28W	1288
2x35W	1588
Dummy modules	
300mm	300
600mm	600
900mm	900

PHOTOMETRIC DATA



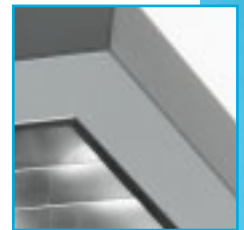
LOR: 0.73
ULOR: 0.26
DLOR: 0.47
SHR nom: 1.50
SHR max: 1.72

Utilisation factors / TMS

Reflectances			Room Index								
C	W	F	0.75	1.0	1.25	1.5	2.0	2.5	3.0	4.0	5.0
70	50	20	45	51	55	58	62	64	66	68	70
30			41	47	51	54	59	62	64	66	68
	10		38	44	48	52	56	59	61	64	66
50	50	20	42	47	50	53	56	58	59	61	62
30			39	44	47	50	53	56	57	59	61
	10		36	41	45	48	51	54	56	58	60
30	50	20	39	43	46	47	50	52	53	54	55
30			36	40	43	46	48	50	51	53	54
	10		34	38	42	44	47	49	50	52	53
0	0	0	31	34	36	38	40	41	42	43	44
BZ-class			1	1	1	1	1	1	1	1	1

CATALOGUE NUMBERS

Lamp Rating	Colour Finish	Louvre	Cat. No.	Weight (kg)	Emergency Cat. No.	Weight (kg)
Laserline - individual						
2 x 28W	Silver Grey	65° - 1000cd/m ²	LLSV228Z	4.4	EBLLSV228Z	5.4
2 x 35W	Silver Grey	65° - 1000cd/m ²	LLSV235Z	4.9	EBLLSV235Z	5.5
2 x 28W	White	65° - 1000cd/m ²	LLWV228Z	4.4	EBLLWV228Z	5.4
2 x 35W	White	65° - 1000cd/m ²	LLWV235Z	4.9	EBLLWV235Z	5.5
2 x 28W	Silver Grey	Ribbed cross blade	LLSR228Z	4.3	EBLLSR228Z	5.3
2 x 35W	Silver Grey	Ribbed cross blade	LLSR235Z	4.8	EBLLSR235Z	5.8
2 x 28W	White	Ribbed cross blade	LLWR228Z	4.3	EBLLWR228Z	5.3
2 x 35W	White	Ribbed cross blade	LLWR235Z	4.8	EBLLWR235Z	5.8
Laserline - continuous start/end						
2 x 28W	Silver Grey	65° - 1000cd/m ²	LLESV228Z	4.4	EBLLESV228Z	5.4
2 x 35W	Silver Grey	65° - 1000cd/m ²	LLESV235Z	4.9	EBLLESV235Z	5.5
2 x 28W	White	65° - 1000cd/m ²	LLEWV228Z	4.4	EBLLEWV228Z	5.4
2 x 35W	White	65° - 1000cd/m ²	LLEWV235Z	4.9	EBLLEWV235Z	5.5
2 x 28W	Silver Grey	Ribbed cross blade	LLESR228Z	4.3	EBLLESR228Z	5.3
2 x 35W	Silver Grey	Ribbed cross blade	LLESR235Z	4.8	EBLLESR235Z	5.8
2 x 28W	White	Ribbed cross blade	LLEWR228Z	4.3	EBLLEWR228Z	5.3
2 x 35W	White	Ribbed cross blade	LLEWR235Z	4.8	EBLLEWR235Z	5.8
Laserline - continuous mid section						
2 x 28W	Silver Grey	65° - 1000cd/m ²	LLCSV228Z	4.4	EBLLCSV228Z	5.4
2 x 35W	Silver Grey	65° - 1000cd/m ²	LLCSV235Z	4.9	EBLLCSV235Z	5.5
2 x 28W	White	65° - 1000cd/m ²	LLCWV228Z	4.4	EBLLCWV228Z	5.4
2 x 35W	White	65° - 1000cd/m ²	LLCWV235Z	4.9	EBLLCWV235Z	5.5
2 x 28W	Silver Grey	Ribbed cross blade	LLCSR228Z	4.3	EBLLCSR228Z	5.3
2 x 35W	Silver Grey	Ribbed cross blade	LLCSR235Z	4.8	EBLLCSR235Z	5.8
2 x 28W	White	Ribbed cross blade	LLCWR228Z	4.3	EBLLCWR228Z	5.3
2 x 35W	White	Ribbed cross blade	LLCWR235Z	4.8	EBLLCWR235Z	5.8
Laserline - continuous dummy modules						
Length	Silver Grey Cat No.	White Cat No.	Weight (kg)			
300mm	LLDS300	LLDW300	0.9			
600mm	LLDS600	LLDW600	1.8			
900mm	LLDS900	LLDW900	2.7			



WAFER T5

The sleek and shallow Wafer T5 range has been re-designed with a distinctive, enhanced aesthetic appearance and improved light distribution for the direct/indirect options.

At only 62mm deep, the luminaire blends effortlessly into restricted ceiling height applications. Wafer T5 is available with a 65°-500cd/m² louvre for VDT areas or a general purpose ribbed cross blade louvre, in mirror or satin finish and delivers excellent optical performance to

maximise the efficiency of the T5 lamps. Suspended versions benefit from improved indirect light distribution and a simple twin point, easy to adjust yoked suspension kit and continuous system options.

Whether surface mounted or suspended, Wafer T5 is ideal for contemporary commercial interiors.



LAMP OPTIONS

- 28W, 35W (HE) T5 fluorescent, 4000°K - G5 cap

MATERIALS

- Body - sheet steel, powder coated in Permawhite finish
- End cap - Injection moulded ABS, colour matched
- Xenoptic grade, satin finish, zero iridescence, anodised aluminium louvre

OPTIONS

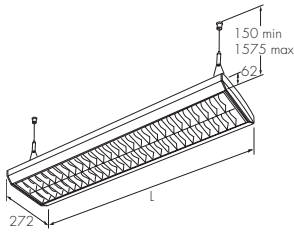
- Individual mount luminaires
- Continuous system luminaires
- High frequency control gear as standard
- HF regulating versions on request
- Fully integral emergency conversion, 3 hour duration
- Intellem and EasiCheck™ self test emergency versions available
- Direct mount versions available

WAFER T5
MJS CONSTRUCTION

INSTALLATION NOTES

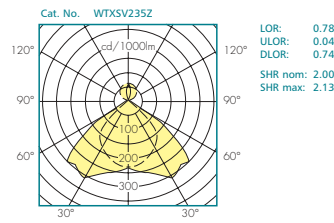
- Suspended version supplied with 2 x adjustable wire mounting kits
- Centralised 20mm cable entry
- 3 way, 2x2.5mm² terminal block
- Fused as standard
- Suspension kit top plate secured to ceiling by single screw
- Wires clip into body, via anti-displacement slots
- Height adjusted at yoke via simple clutch mechanism
- Continuous luminaires supplied with additional profiled endcap to finish end of runs
- Supplied complete with lamps

DIMENSIONS



Lamp Rating	L (mm)
Individual	
2x28W	1197
2x35W	1497
Continuous start/end	
2x28W	1192
2x35W	1492
Continuous mid section	
2x28W	1187
2x35W	1487
Dummy modules	
300mm	300
600mm	600
900mm	900

PHOTOMETRIC DATA



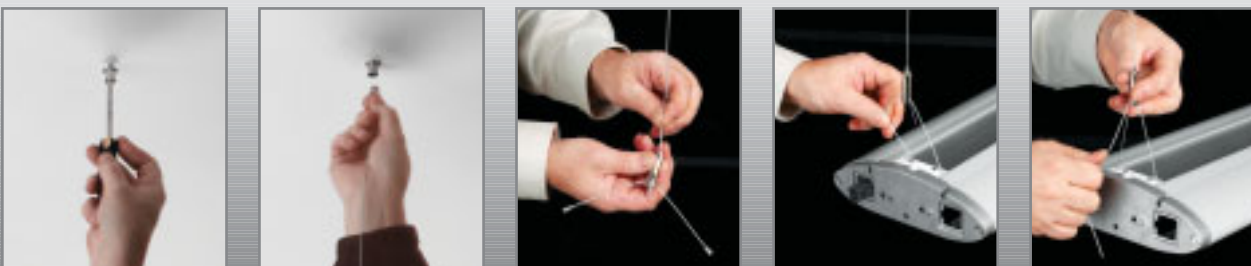
Utilisation factors / TMS

Reflectances			Room Index								
C	W	F	0.75	1.0	1.25	1.5	2.0	2.5	3.0	4.0	5.0
70	50	20	-	59	63	65	69	71	72	74	75
30	-	56	59	62	66	68	70	72	74	74	74
10	-	53	57	60	64	66	68	71	72	72	72
50	50	20	-	57	60	63	66	68	69	70	71
30	-	55	58	60	64	66	67	69	70	70	70
10	-	52	55	58	62	64	66	68	69	69	69
30	50	20	-	56	58	60	63	65	66	67	68
30	-	53	56	58	61	63	64	66	67	67	67
10	-	51	54	57	60	62	63	65	66	66	66
0	0	0	-	49	52	54	57	58	59	61	61
BZ-class	-	-	1	1	1	1	1	1	1	1	1

CATALOGUE NUMBERS

Lamp Rating	Colour Finish	Louvre	Cat. No.	Weight (kg)	Emergency Cat. No.	Weight (Kg)
Wafer T5 - individual						
2 x 28W	65° - 500cd/m ²	Xenoptic satin	WTSXSV228Z	6.3	EBWTSXSV228Z	7.0
2 x 35W	65° - 500cd/m ²	Xenoptic satin	WTSXSV235Z	6.9	EBWTSXSV235Z	7.6
2 x 28W	Ribbed cross blade	Xenoptic satin	WTSXSR228Z	6.3	EBWTSXSR228Z	7.0
2 x 35W	Ribbed cross blade	Xenoptic satin	WTSXSR235Z	6.9	EBWTSXSR235Z	7.6
Wafer T5 - continuous						
2 x 28W	65° - 500cd/m ²	Xenoptic satin	WTCXSV228Z	6.3	EBWTCXSV228Z	7.0
2 x 35W	65° - 500cd/m ²	Xenoptic satin	WTCXSV235Z	6.9	EBWTCXSV235Z	7.6
2 x 28W	Ribbed cross blade	Xenoptic satin	WTCXSR228Z	6.3	EBWTCXSR228Z	7.0
2 x 35W	Ribbed cross blade	Xenoptic satin	WTCXSR235Z	6.9	EBWTCXSR235Z	7.6
Wafer T5 Suspended - dummy modules						
Length	Colour Finish	Cat No.	Weight (kg)			
300mm	White	WTD300	1.3			
600mm	White	WTD600	1.2			
900mm	White	WTD900	1.9			

5 EASY STEPS TO QUICK AND ACCURATE INSTALLATION OF SUSPENDED SYSTEMS





www.cooper-ls.com

CC1205